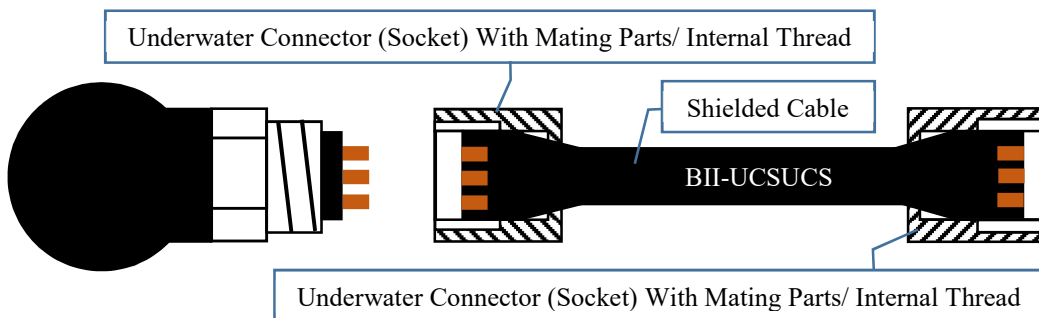
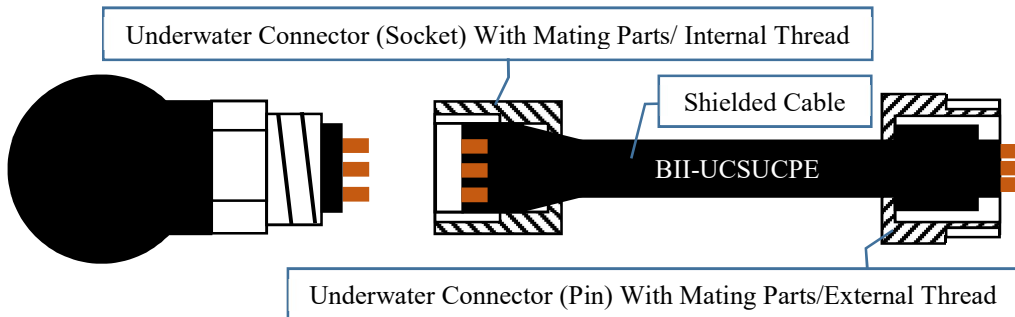
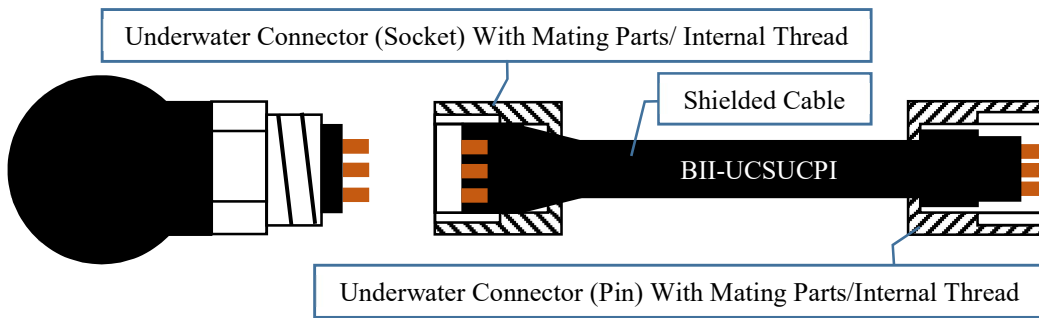
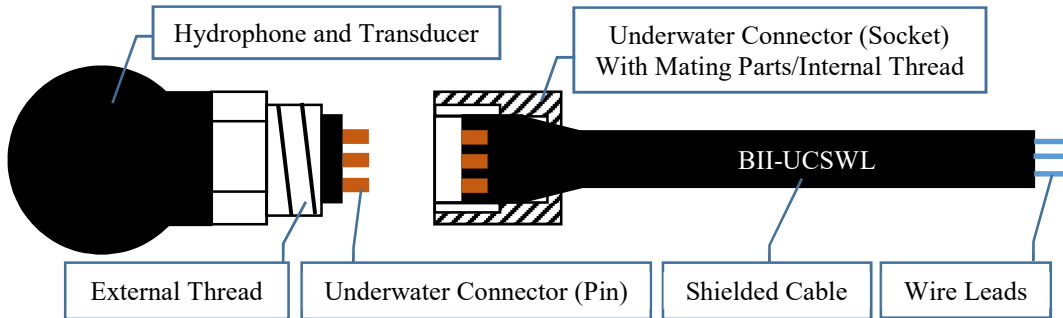


Free Hanging with Underwater Connector (FHUWC) and Accessories



| Accessories mating with FHUWC: Hookup to Data Acquisition System, Cable Extension, etc... | |
|--|--|
| Part Number: | Description |
| BII-UCSWL: | Underwater Connector with Socket insert and Internal-Thread Mating Parts, customized shielded cable, Wire Leads |
| BII-UCSUCPI: | Underwater Connector with Socket insert and Internal-Thread Mating Parts, customized shielded cable, Underwater Connector with Pin insert and Internal-Thread Mating Parts. |
| BII-UCSUCPE: | Underwater Connector with Socket insert and Internal-Thread Mating Parts, customized shielded cable, Underwater Connector with Pin insert and External-Thread Mating Parts. |
| BII-UCSUCS: | Underwater Connector with Socket insert and Internal-Thread Mating Parts, customized shielded cable, Underwater Connector with Socket insert and Internal-Thread Mating Parts. |
| Note: | Please specify cable length when ordering. |
| The mating connector installed on buyer's devices can be purchased from BII or the local suppliers in buyer's country. Please contact BII for more information. | |
| Available is customized FHUWC (Free Hanging with Underwater Connector) and its accessories for your project. | |
| Cost-saving Tips: BII carefully design the wirings and the contact assignment of the accessories with compatibility in every design process. The accessories can be used with different types of hydrophones or transducers, much money can be saved by reusing or sharing the accessories. Please check out the compatibility with online wirings information before ordering. | |

| Information of Hydrophones with FHUWC and Accessories | | | |
|--|----------------------------------|--|---|
| Products: | Hydrophone without Pre-amplifier | Hydrophone with Fixed-gain Pre-amplifier | Hydrophone with Programmable-gain Pre-amplifier |
| Connector: | Underwater Connector: 5 Contacts | Underwater Connector: 5 Contacts | Underwater Connector: 8 Contacts |
| Cable: | Multi-conductor Shielded Cable | Multi-conductor Shielded Cable | Multi-conductor Shielded Cable |
| Wiring: http://www.benthowave.com/products/Hydrophone Wiring.html | | | |

| Information of Transducers with FHUWC and Accessories | | |
|--|---|---|
| Products: | Transducer with or without Impedance Matching | Transducer with T/R Switch BII-2100 Series |
| Connector: | Underwater Connector: 3 Contacts | Underwater Connector: 10 Contacts |
| Cable: | Multi-conductor Shielded Cable, 600V Rating | Multi-conductor Shielded Cable, 600V Rating |
| Wiring: http://www.benthowave.com/products/Transducer Wiring.html | | |

| Information of BII-8060 Series Pinger with FHUWC and Accessories | | |
|--|----------------------------------|----------------------------------|
| Products: | BII-8061 and BII-8063 Pinger | BII-8062 and BII-8064 Pinger |
| Connector: | Underwater Connector: 5 Contacts | Underwater Connector: 5 Contacts |
| Cable: | Multi-conductor Shielded Cable | Multi-conductor Shielded Cable |
| Wiring: http://www.benthowave.com/products/BII-8060Pinger.html | | |

| Information of BII-8060 Series Transponder with FHUWC and Accessories | | |
|--|-----------------------------------|-----------------------------------|
| Products: | BII-8065 and BII-8067 Transponder | BII-8066 and BII-8068 Transponder |
| Connector: | Underwater Connector: 10 Contacts | Underwater Connector: 10 Contacts |
| Cable: | Multi-conductor Shielded Cable | Multi-conductor Shielded Cable |
| Wiring: http://www.benthowave.com/products/BII-8060Transponder.html | | |